

PRODUCT CATALOG

marketing@polyvinylc.com

www.polyvinylc.com

DREAM YARDS DON'T JUST HAPPEN,
THEY'RE BUILT ON A FOUNDATION OF
QUALITY AND TIMELESS DESIGN.



WE CREATE BEAUTIFUL YARDS

SimTek decorative rock walls offer elegance, privacy and security for your yard. It provides a secluded place for you and your family to spend time together in the place that matters the most; your home.

#lovemyfence



THE **BEAUTY** AND DURABILITY OF **STONE**
WITHOUT THE EXPENSE



WE CREATE MAINTENANCE-FREE SPACES

SimTek decorative rock walls create a beautiful, maintenance-free environment. They block out noise, are graffiti resistant, and are unaffected by continued exposure to hot and cold temperatures. Our walls will not warp, crack and never need painting or staining.

[#maintenancefreefence](#)



STUNNING BEAUTY
LIFETIME DURABILITY



WE CREATE QUIET SPACES

SimTek decorative rock walls block 98% of direct sound





EcoStone

THE SIMTEK ADVANTAGE



MADE OF
STRONG LLDPE



SUPERIOR WIND
RATING



BLOCKS 98% OF
DIRECT SOUND



IMPACT
RESISTANT



FADE RESISTANT



ECO-FRIENDLY



EASY INSTALLATION



MADE IN
THE USA

THE ASHLAND COLLECTION FEATURES RICH COLORS AND DRAMATIC TEXTURE, WHICH GIVES OUR PANELS A REALISTIC WOOD APPEARANCE



Ashland[™]
COLLECTION

**NEW
PRODUCT**

GIVE VALUE TO YOUR HOME WITHOUT TAKING FROM NATURE



Ashland panels are made from a proprietary blend of polyethylene and contain up to 25% recycled material. No trees are cut down for the purpose of manufacturing our fence.



Our panels contain UV-12 inhibitors for a lifetime of vibrant colors. Ashland polymers have been tested to withstand extreme weather conditions with little to no fading.



Ashland panels will not warp, fade or crack and never need staining. They withstand temperatures from -40 degrees F to +140 degrees F, and are unaffected by water and salt spray. They are resistant to any negative organic processes.



Ashland fence is literally maintenance-free. So, sit back, relax and enjoy the great outdoors.

DESIGNER WOOD-GRAIN COLORS



Walnut Brown



Nantucket Gray



Red Cedar



Gold Cedar

STEEL REINFORCED GATES

SimTek gates are designed with a total interior metal frame. The exterior shell is made from the same durable polyethylene material as the rest of the fence.



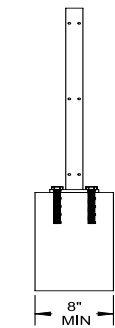
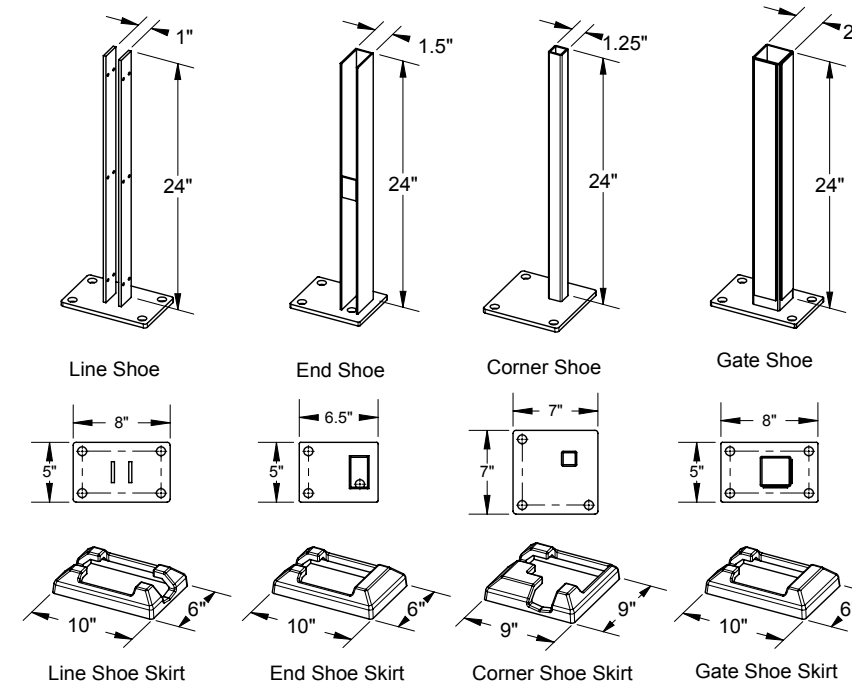
DURABLE CONCRETE MOUNTING BRACKETS

Our fences may be mounted on a concrete surface or a retaining wall by using our engineered mounting brackets and decorative skirts



ENGINEERED TO LAST

SimTek Fence can be installed on top of an eight inch minimum width, poured concrete wall or on a flat concrete surface. Our concrete mounting brackets are made with heavy steel plates and have vertical members. They attach to the concrete with wedge anchors and are bolted to the posts. Mounting brackets are available for lines, ends, corners and gate posts. Decorative skirts are used to cover the plates and anchor bolts for a finished look.



A quality finished wall is the result of a quality installation.

Be certain that your retaining wall is at least 8" wide so the bolts can be achored properly.



EXTREMELY DURABLE

- The internal frame is made of 1.5" x 1.5" galvanized 14 gauge heavy-duty steel frame. Each gate comes complete with two self closing hinges, a latch and a striker rod.
- Gates come in 3ft, 4ft, 5ft and 6ft widths and may be double hung for 7ft, 8ft, 9ft, 10ft, 11ft or 12ft openings
- Hinges thread directly into the interior metal frame of the gate
- Our spring loaded, self-closing hinges meet national pool codes





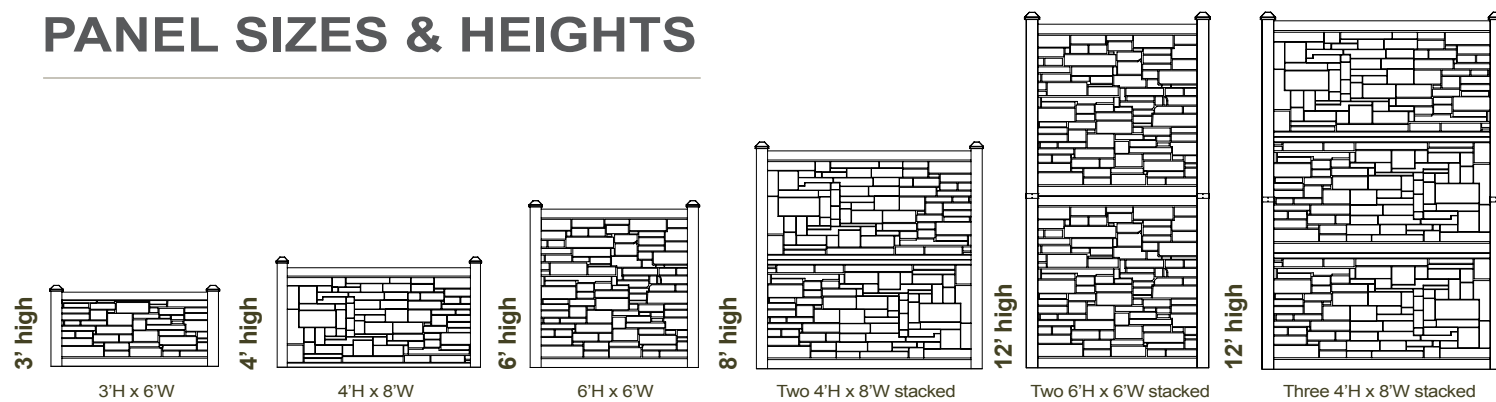
ECOSTONE PANELS

- Panels come in 3'H x 6'W, 6'H x 6'W, and 4'H x 8'W
- All panels contain high-grade galvanized steel in both top and bottom rails
- Panel heights cannot be modified; however, panels can be cut to any custom width
- Our panels have been engineered to allow stacking to create 8ft and 12' high walls

POSTS

- Posts come in 8.5' and 12' heights and have a five-inch outer diameter
- All posts contain full-length internal molded steel stiffeners for optimum strength
- Posts are made from 50% recycled polyethylene plastic
- For 12'H, we supply metal I-beams with matching plastic posts sleeves

PANEL SIZES & HEIGHTS



LEARN MORE



Proud member since 2007



NOA Approval 12-125.02



For full warranty information, please visit our website



Proudly made in the United States



U.S. Patents 7,478,797 / 7,635,114 Foreign Patents Pending

DESIGNER GRANITE COLORS



CREATE THE YARD OF YOUR DREAMS

1. VIEW OUR PHOTO GALLERY ONLINE

Check out our website, www.simtekfence.com and visit our photo galleries for project ideas and inspiration.

2. DESIGN YOUR OWN FENCE

Create your own fence by using our fence calculator. This tool will provide all the materials you will need for your fence project.

3. ORDER COLOR SAMPLES

Go online and request more product info or call our toll-free number: 1.866.648.9336. Our representatives will be happy to assist you.



STUNNING BEAUTY LIFETIME DURABILITY



Poly
Vinyl
Creations

Authorized Dealer

*Poly Vinyl Creations, Inc.
marketing@polyvinyl.com*

Visit www.polyvinylc.com for contact information.